



Cutting Edges

Date _____ / _____ / _____

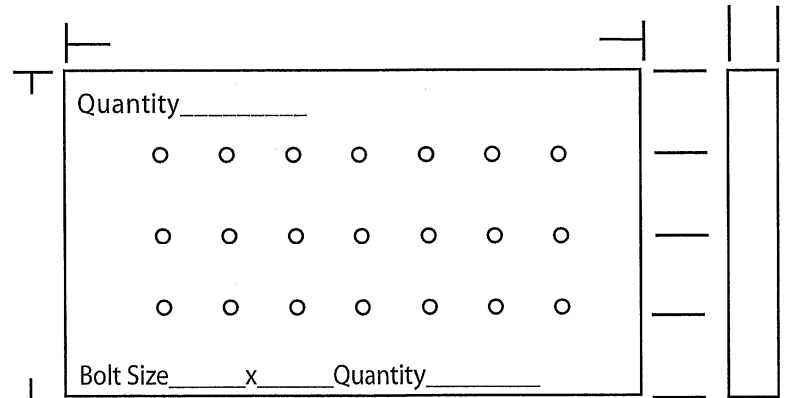
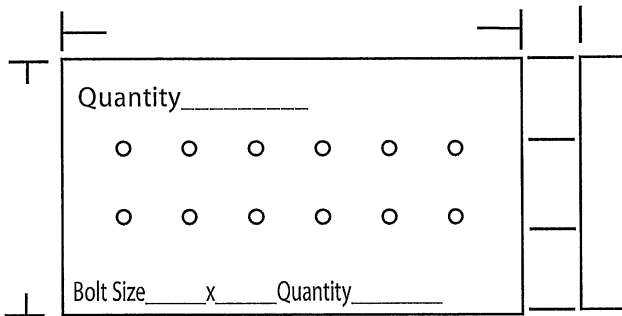
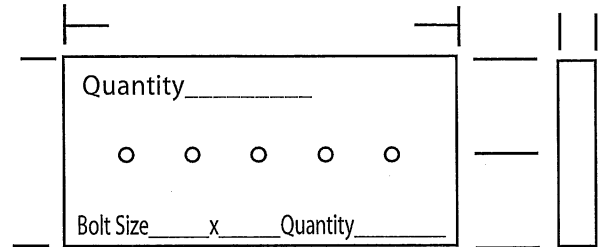
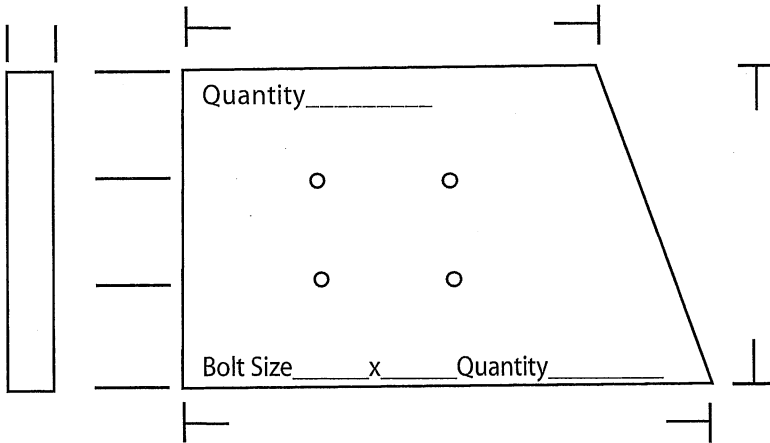
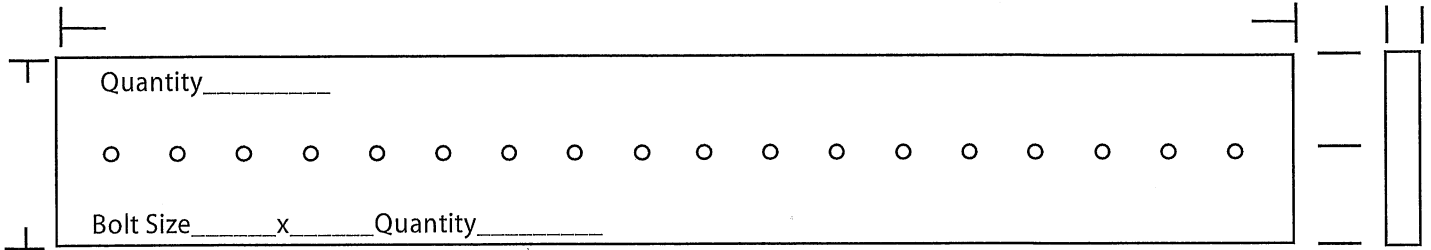
2870 West 2100 South
 Salt Lake City, Utah 84119
 PHONE 801 972-1601 . FAX 801 972-6730
 WWW.HOLLANDEQ.COM

Customer _____

Address _____

Make & Model _____

Serial# _____



©2007 Holland Equipment Company

